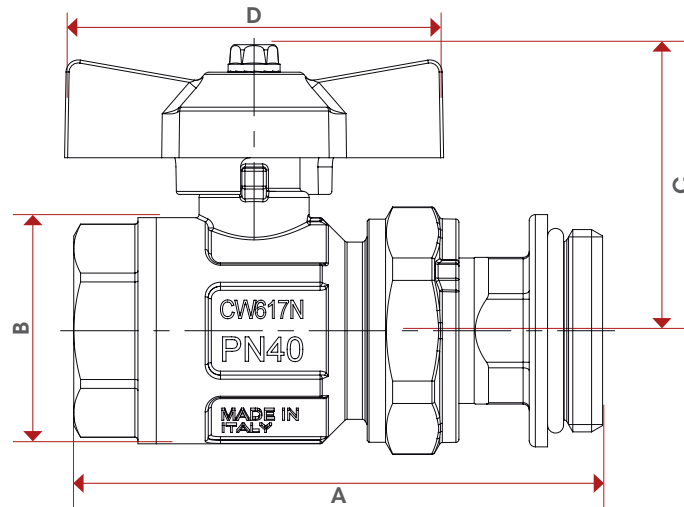


# 098S - 3/4"x1"



TEC



	3/4"x1"
DN	20
A	86,5
B	37
C	47
D	62
Kg/cm <sup>2</sup> bar	40
LBS - psi	580