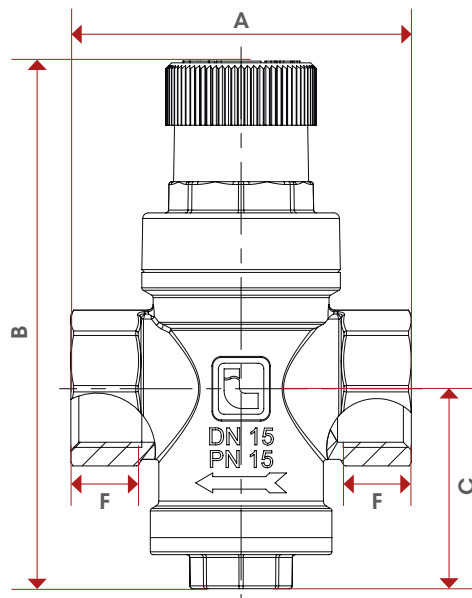


360



TEC



| | 1/2" | 3/4" |
|------------------------|-------|-------|
| DN | 15 | 20 |
| A | 60 | 60 |
| B | 93 | 93 |
| C | 35,25 | 35,25 |
| F | 12 | 12 |
| Kg/cm ² bar | 15 | 15 |
| LBS - psi | 217,5 | 217,5 |