



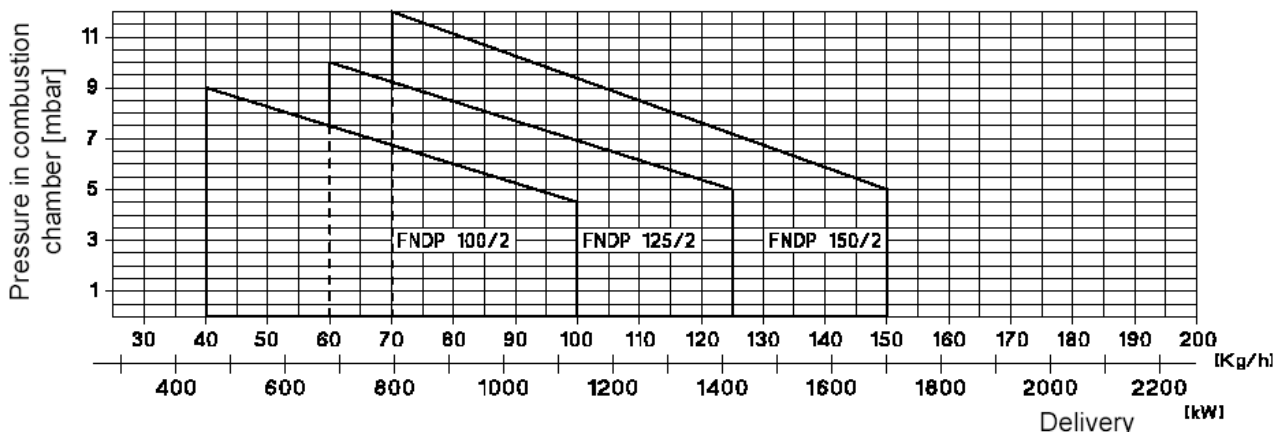
Burners for heavy oil at two stages, fan at high pressurisation, combustion head with adjustment at high efficiency and high flame stability, hydraulic system of regulation combustible air on the two stages of flame.  
Disposition rationalized of the components with accessibility facilitated for the operations of setting and maintenance.  
Complete of flange and gasket for installation on boiler, nozzles, flexible pipes, line filter (for the models FNDP the line filter is electrically heated and equipped with a thermostat).

### TECHNICAL DATA

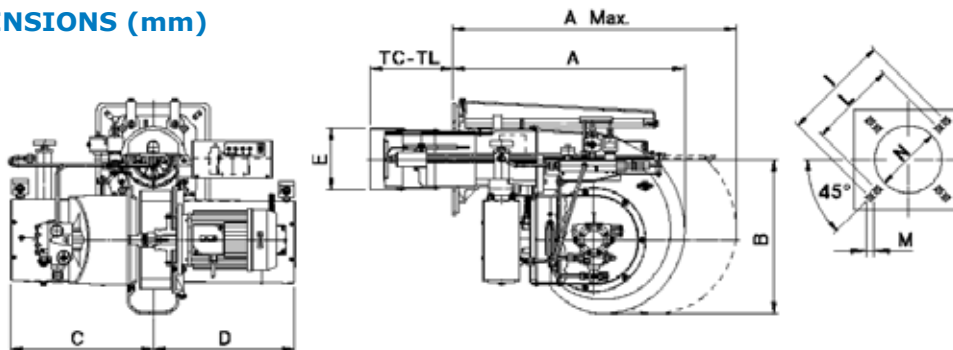
MODEL		FNDP 100/2	FNDP 125/2	FNDP 150/2
Flow min-max*	kg/h	40-100	60-125	70-150
Thermal power min-max*	Mcal/h	392-980	588-1225	686-1470
	kW	455-1137	682-1421	796-1705
Fuel	HEAVY OIL MAX 20°C to 50°C			
Intermittent working operation (min. 1 stop every 24 hours) two stage				
Environmental conditions operation/storage	-15...+40°C/-20...+70°C, rel. humidity max 80%			
Max temperature combustion air	°C	60	60	60
Nominal electric power	kW	11.2	14	16
Motor fan	kW	2.2	3	4
Resistances	kW	9	11	12
Power supply	3 ~ 400V-1/N ~230V-50Hz			
Degree of electric protection		IP44	IP44	IP44
Weight burner	kg	100	130	136

\* Reference conditions: Environment temperature 20°C - Barometric pressure 1013 mbars - Altitude 0 mt (sea level)

### FIRING RATES: Thermal power - Pressure in combustion chamber



### DIMENSIONS (mm)



MODEL	A	A Max	B	C	D	ØE	TC	TL	I	ØL	M	N
FNDP 100/2	656	1085	440	410	400	175	235	335	368	340	M12	190
FNDP 125/2	820	1400	520	420	400	209	200	400	368	340	M14	230
FNDP 150/2	820	1400	520	420	400	209	200	400	368	340	M14	230

Le illustrazioni e i dati riportati sono indicativi. F.B.R. Bruciatori S.r.l. si riserva il diritto di apportare, senza obbligo di preavviso, tutte le modifiche opportune, per l'evoluzione dei propri prodotti.  
The illustrations and data here shown are indicative. F.B.R. Bruciatori S.r.l. reserves the right to bring, without any obligation of warning, any changes that would be appropriate to the continuing development of their products.