

MECHANICAL MODULATION



Burners for heavy oil two stages progressive or PID fully modulating with the addition of the optional system modulation kit plus feeder. Fan at high pressurisation, combustion head with adjustment at high efficiency and high flame stability complete of servomotor for the opening of the air shutters, suitable for heavy oil up to 20°C to 50°C and for BTZ heavy oil.

Disposition rationalized of the components with accessibility facilitated for the operations of setting and maintenance.

Complete of flange and gasket for installation on boiler, nozzles, flexible pipes, line filter electrically heated and equipped with a thermostat.

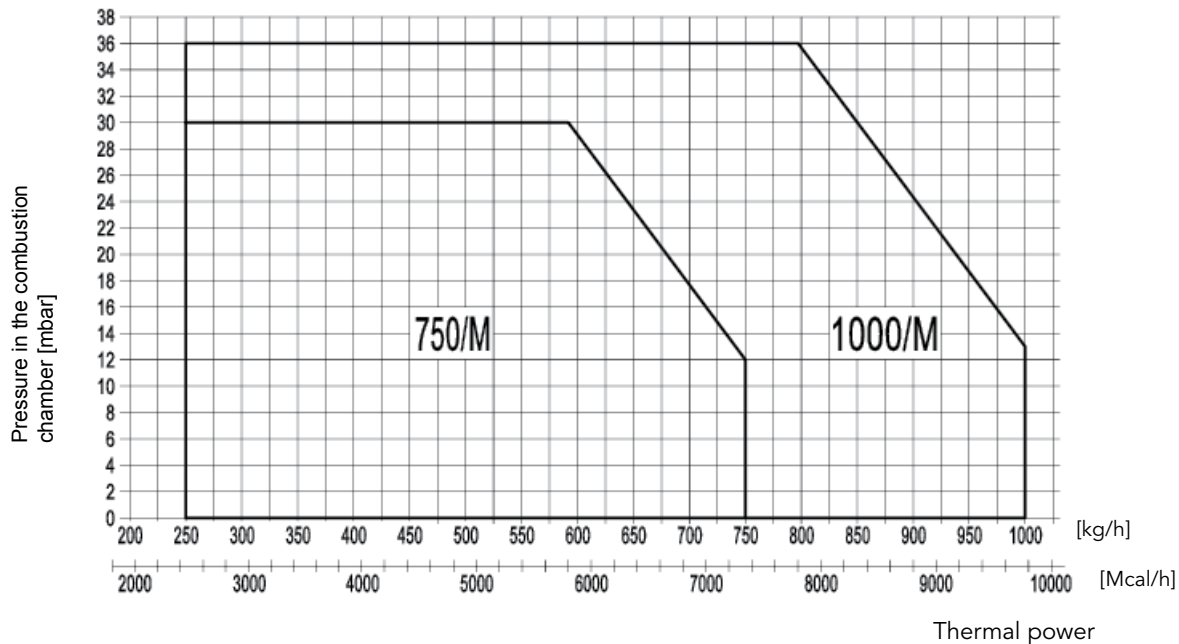
Available also versions with electronic camme.

TECHNICAL DATA

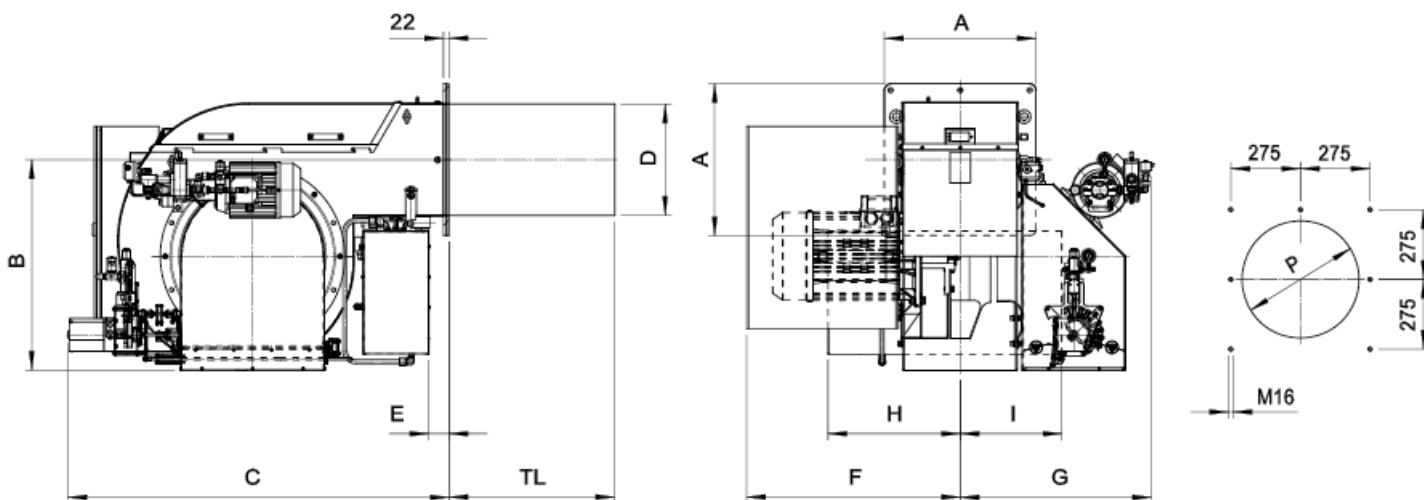
MODEL		FNDP 750/M MC	FNDP 1000/M MC
Flow min-max*	kg/h	250-750	250-1000
Thermal power min-max*	Mcal/h	2450-7350	2450-9800
	kW	2848-8546	2848-11395
Fuel	HEAVY OIL 5-20°C a 50°C		
Intermitted working operation (min. 1 stop every 24 hours) two stage progressive or modulating			
Environmental conditions operation/storage	-15...+40°C/-20...+70°C, rel. humidity max 80%		
Max temperature combustion air	°C	60	60
Nominal electric power	kW	74,5	88,5
Motor fan	kW	22	30
Motor pump	kW	4,5	4,5
Resistances	kW	48	54
Power supply	3~400V,1/N~230V-50Hz		
Degree of electric protection		IP44	IP44
Burner weight	kg	636	676

* Reference conditions: Environment temperature 20°C - Barometric pressure 1013 mbars - Altitude 0 mt (sea level)

FIRING RATES: Thermal power - Pressure in combustion chamber



DIMENSIONS (mm)



MODEL	A	B	C	D	E	F	G	H	I	TL	P _{min}	P _{max}
FNDP 750/M MC	600	832	1508	440	80	845	760	520	400	655	450	480
FNDP 1000/M MC	600	832	1508	440	80	845	760	520	400	655	450	480