



Burners for heavy oil at two stages, fan at high pressurisation, combustion head with adjustment at high efficiency and high flame stability, hydraulic system of regulation combusive air on the two stages of flame.

Available in two versions:

-FNP for fluid heavy oil up to 3,5°E at 50°C

-FNDP for dense heavy oil up to 20°E at 50°C

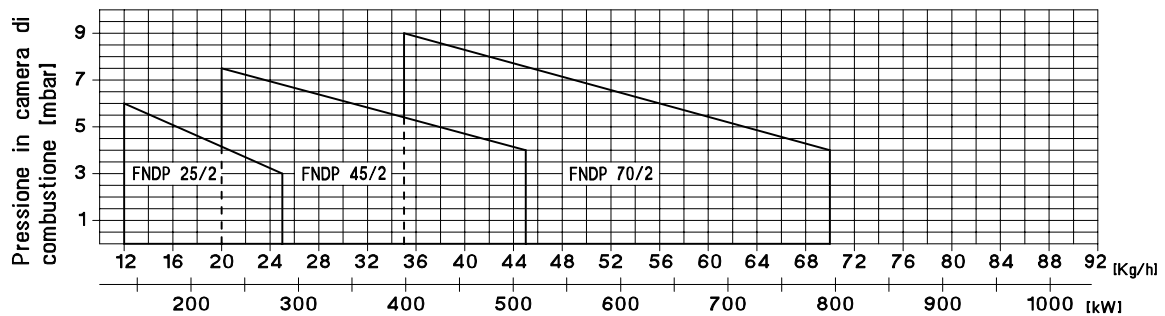
Disposition rationalized of the components with accessibility facilitated for the operations of setting and maintenance.

Complete of flange and gasket for installation on boiler, nozzles, flexible pipes, line filter (for the models FNDP the line filter is electrically heated and equipped with a thermostat).

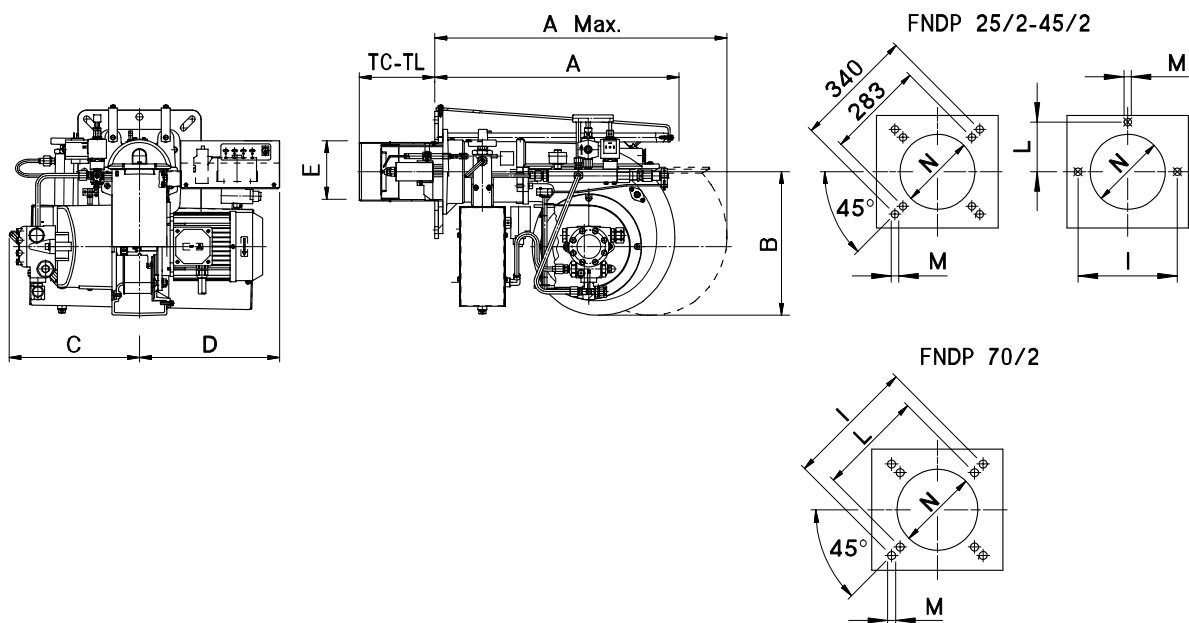
## TECHNICAL DATA

MODEL		FNDP 25/2	FNDP 45/2	FNDP 70/2
Delivery Fuel	Kg/h	12-25	20-45	35-70
Thermal power	Mcal/h	118-245	196-441	343-686
Thermal power	kW	137-284	227-512	398-796
Motor power	kW	0.73	1.1	1.5
Resistances power	kW	3	4	7.4
Electrical supply		230V-400V 50Hz-(+10%-15%)		
Fuel		Heavy oil MAX 20°E a 50°C		
Pump pressure		24bar (STANDARD CALIBRATION)-28bar MAX		

## OPERATING RANGE: Thermal power - Pressure in combustion chamber



## OVERALL DIMENSIONS (mm)



MODEL	A	A Max.	B	C	D	E	TC	TL	I	L	M	N
FNDP 25/2	540	950	325	295	319	135	170	350	250	125	M12	160
FNDP 45/2	540	950	325	295	319	155	170	350	250	125	M12	160
FNDP 70/2	660	1100	355	295	326	165	250	350	368	340	M12	180