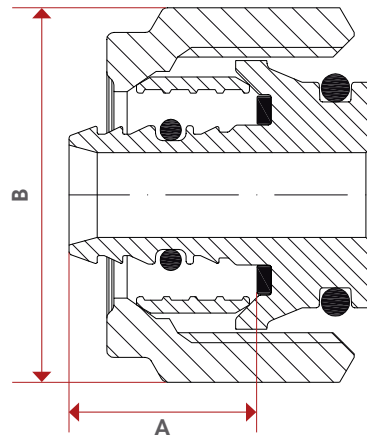


# 595M



TEC



	<b>1/2"-14 x 2</b>	<b>1/2"-16 x 2</b>	<b>1/2"-16 x 2,25</b>	<b>3/4"-16 x 2</b>	<b>3/4"-20 x 2</b>
<b>A</b>	13,3	13	13	15	15
<b>B</b>	Es. Ch. 24	Es. Ch. 24	Es. Ch. 24	Es. Ch. 27	Es. Ch. 27